

## Product Information

<b>Part Number</b>	B8M-55CN-SQ
<b>Thread Size</b>	M8
<b>Head Profile</b>	FULL COUNTERSUNK HEAD
<b>Body Type</b>	Half Square
<b>Grip Range</b>	2.0-5.5
<b>Grip Range Band</b>	1.0-5.5
<b>Material</b>	brass
<b>Hole Size</b>	10.5
<b>Overall Length</b>	19.5
<b>Head Diameter</b>	13.6
<b>Head Thickness</b>	1.5
<b>Body Set Length</b>	11
<b>Price Per Thousand</b>	£248.78

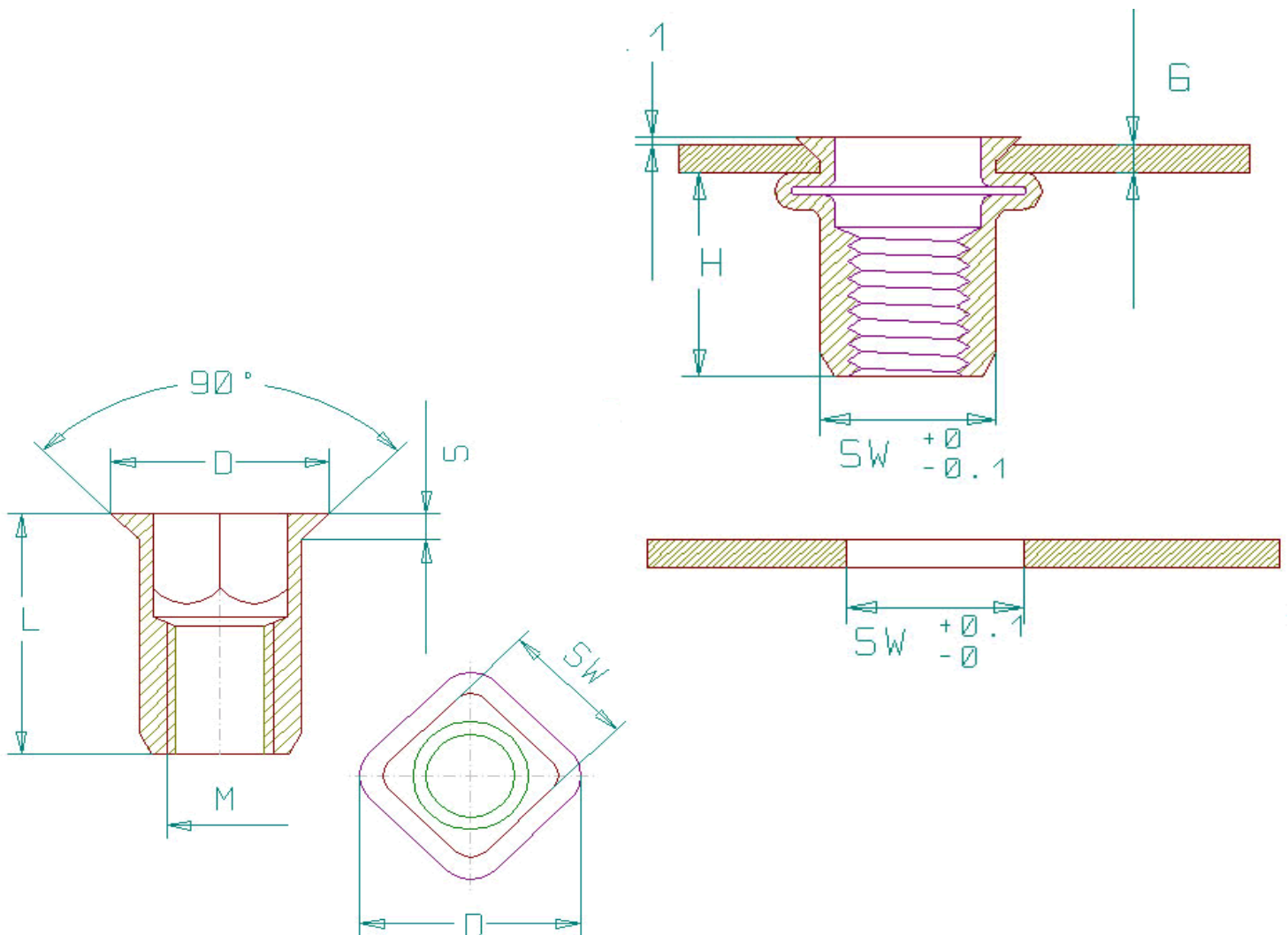
## Quotation Information

We will offer a discount against the base price displayed opposite. Simply visit our web site and use the part number search tool for :- **B8M-55CN-SQ**



Select the quantity that you require, submit your request and we will email you a quotation by return.

## product design: Images



Poly Fasteners along with our European manufacturing facility can offer a versatility you cannot find elsewhere. Our unique production process allows the flexibility to produce almost any type of blind rivet nut now offered by our competitors plus many more. We can design and develop products to your specific requirements in all shapes, head styles or materials, providing test samples at reasonable cost when necessary. We can consider both small medium and large volume production and provide ISIR and PPAP at cost when required. Our aim is to provide a quality product, built to service your particular application. If you are unable to find a suitable product here in our standard range or you have specific technical criteria to satisfy please contact us from this site.